

Tissue holder without cover - Chrome

MEM

83 500 780

- width 140mm
- height 35 mm
- 85mm projection

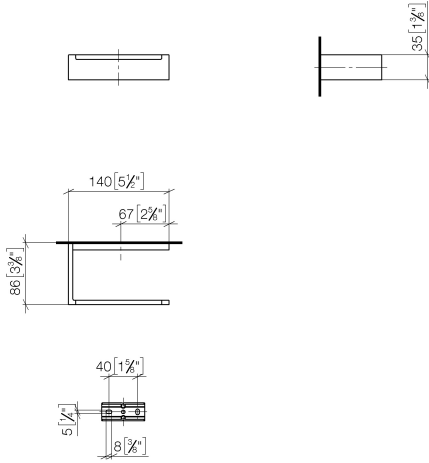


Fits: MEM, CYO

|   |                                     |               |
|---|-------------------------------------|---------------|
|  | Chrome                              | 83 500 780-00 |
|  | Brushed Platinum                    | 83 500 780-06 |
|  | Platinum                            | 83 500 780-08 |
|  | Dark Chrome                         | 83 500 780-19 |
|  | Brushed Durabronze<br>(23kt Gold)   | 83 500 780-28 |
|  | Brushed<br>Champagne (22kt<br>Gold) | 83 500 780-46 |
|  | Champagne (22kt<br>Gold)            | 83 500 780-47 |
|  | Brushed Dark<br>Platinum            | 83 500 780-99 |

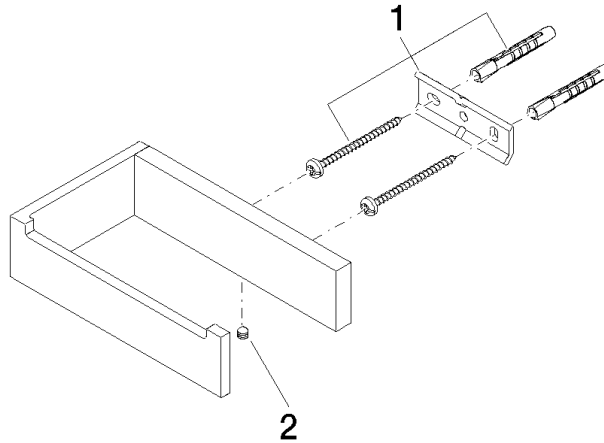
83 500 780

mm [inches]



83 500 780

Parts for other finishes can be found here: Brushed Platinum



### Spare parts list

| No. | Item Number        | Name       | Quantity used | Delivery time |
|-----|--------------------|------------|---------------|---------------|
| 1   | 05 17 20 718 00 90 | fixing set | 1             | 2             |
| 2   | 90 31 11 112 00 90 | pin        | 1             | 2             |